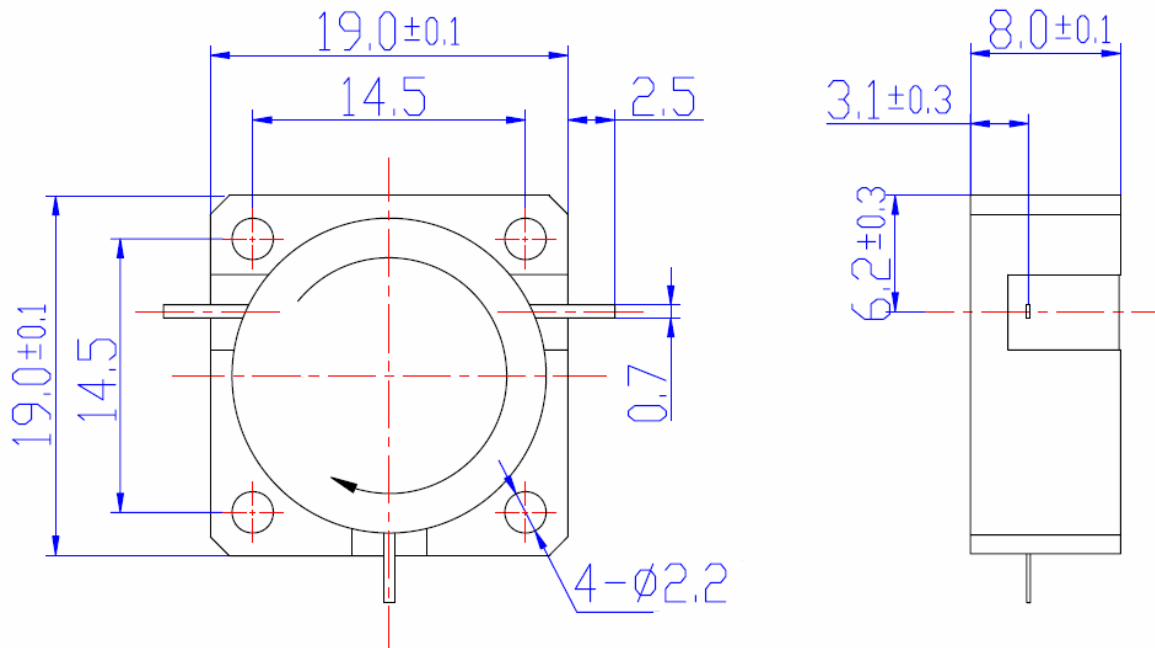
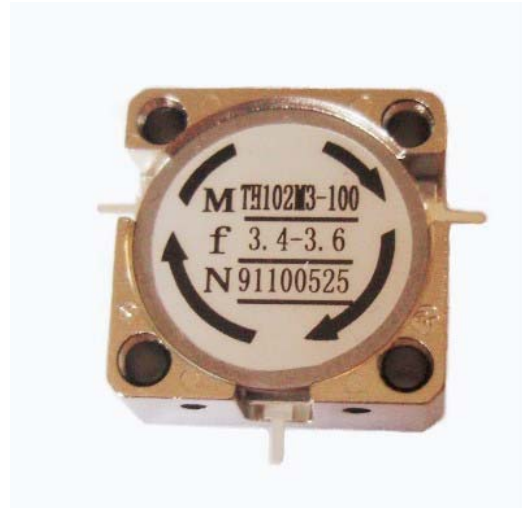


Stripline Circulators 3.4GHz-3.6GHz

Feature:

Model:	TH102M3-100
Frequency: (GHz)	3.4-3.6
Insertion Loss: (dB)	0.4dB
Isolation: (dB)	20dB (min.)
VSWR:	1.20
Power: (Watts)	100

Picture:



Price: A\$135.0 (Excl. GST) each

Note: Please quote the special price for quantity order.